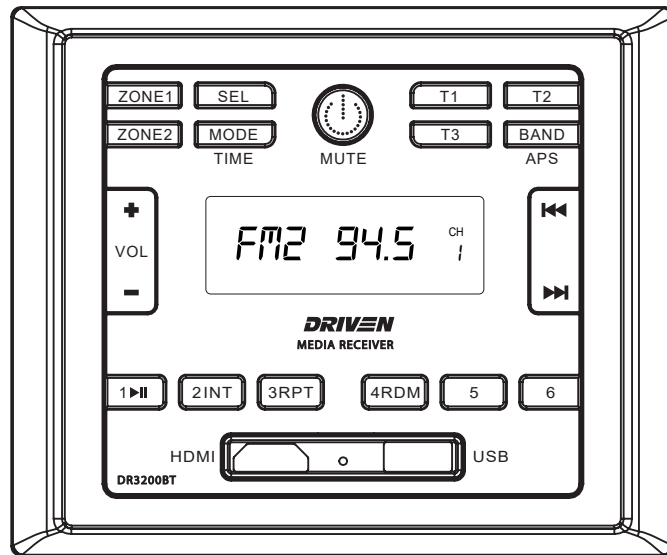


DR3200BT

Instruction Manual



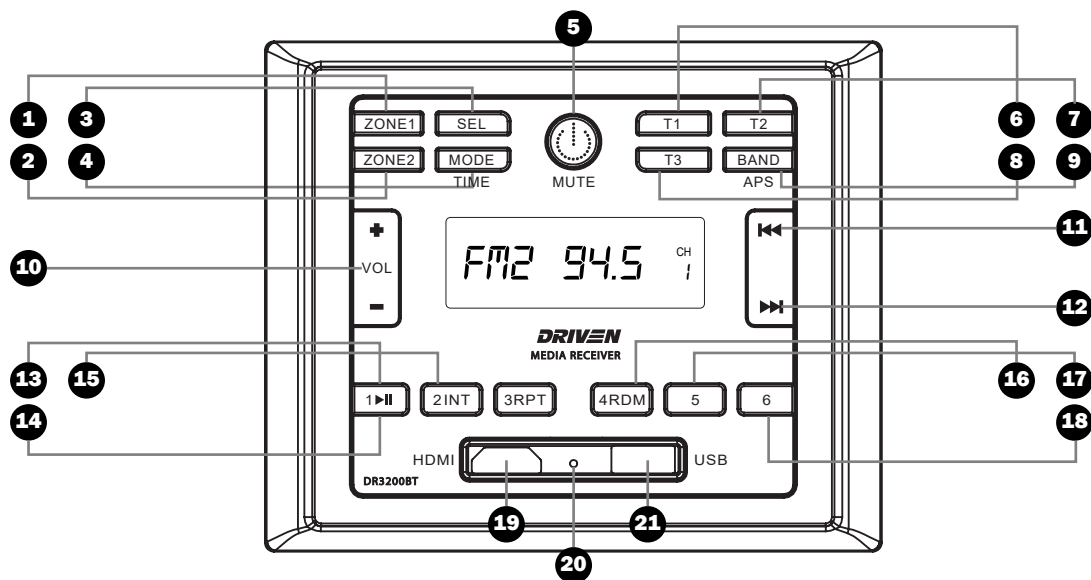
Welcome

Thank you for purchasing the Driven Entertainment System. Before operating your new product, please read these operating instructions carefully. They contain important information for safe use, installation and maintenance of the product.

Please keep this instruction manual for future reference. The manufacturer does not accept responsibility for any damages that may arise due to improper use. If you have any further questions regarding our products, please contact us at:

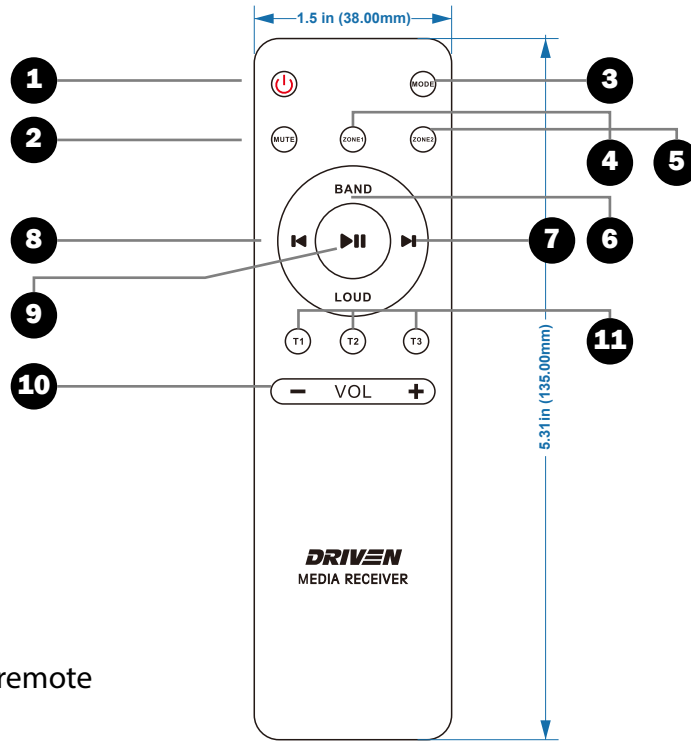
support@dbdrive.net

Front Panel Diagram



1	Zone 1 Speakers on/off	12	Track Select / Radio Station Search Next
2	Zone 2 Speakers on/off	13	Play Pause / P1 Radio Mode: Short press to select station P1, Long press to save station in P1. (USB Mode: Play / Pause)
3	Selectable Sound Settings Bass/Treble/Sub/Zone Volume/EQ	14	INT / P2 Radio Mode: Short press to select station P2, Long press to save station in P2. (USB Mode: Song browsing)
4	Mode USB/BT/HDMI/RADIO/AV1/AV2 (Short press to toggle between sources)	15	RPT / P3 Radio Mode: Short press to select station P3, Long press to save station in P3. (USB Mode: Repeat playlist)
5	Power On/Off – Mute Short press to turn on. Long press to turn off. (Short press while powered on to mute)	16	RDM / P4 Radio Mode: Short press to select station P4, Long press to save station in P4. (USB Mode: Randomize playlist)
6	T1 Interior Speaker LED (T1 output switch, turn on/off)	17	P5 Radio Mode: Short press to select station P5, Long press to save station in P5.
7	T2 Exterior Speaker LED (T2 output switch, turn on/off)	18	P6 Radio Mode: Short press to select station P6, Long press to save station in P6.
8	T3 Optional Function (T3 output switch, turn on/off)	19	HDMI Input
9	Band/Tuner Selection APS, FM1, FM2, FM3, AM1, AM2	20	Reset Press to master reset the unit
10	Volume VOL+ / VOL-	21	USB Input
11	Track Select / Radio Station Search Previous		

Remote Control Diagram



Note: DR3200REM optional remote available, sold separately.

Remote Control Buttons

	Power	5	Zone 2	9	Play / Pause
2	Mute	6	Band	10	Volume
3	Mode	7	Forward	11	Trigger Functions
4	Zone 1	8	Previous		

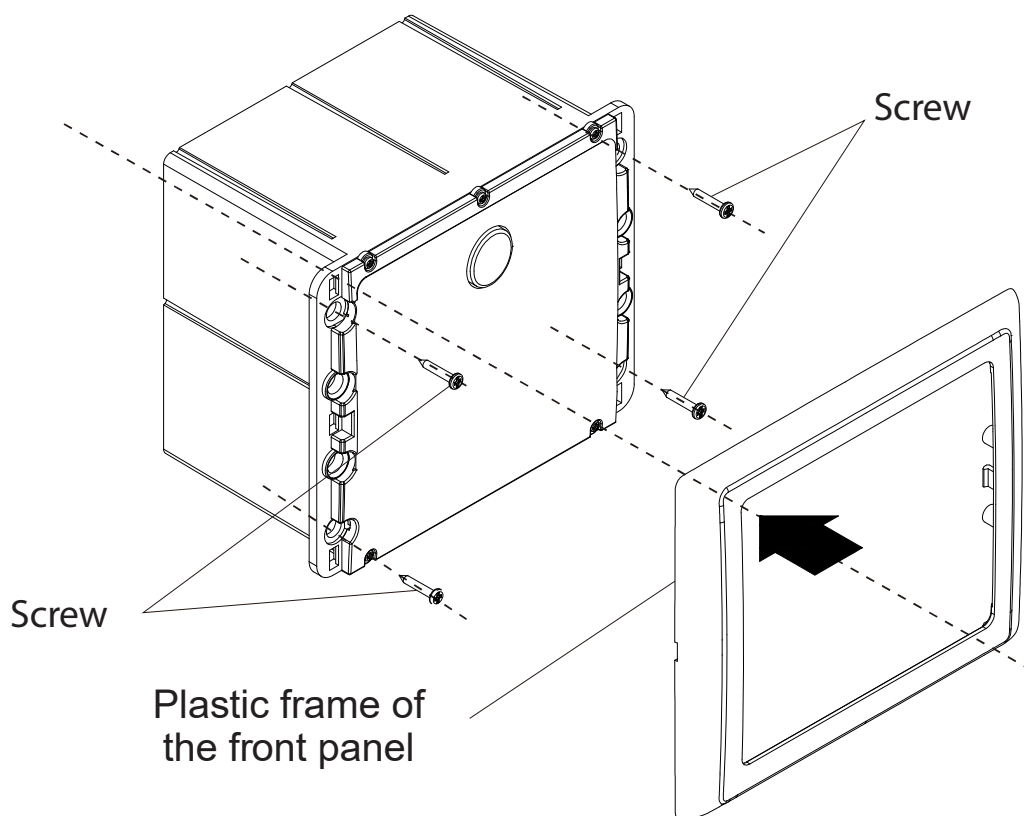
Installation

Location

- Choose a mounting location away from humid areas, water sources, burning products or any equipment that can radiate heat.
- Select an area on the wall or cabinet, which is free from cable, fuel or brake lines.
- Ensure when the stereo is mounted in the cut out that the wires at the rear of the unit are not pressed against the heat sink.

Installing the unit

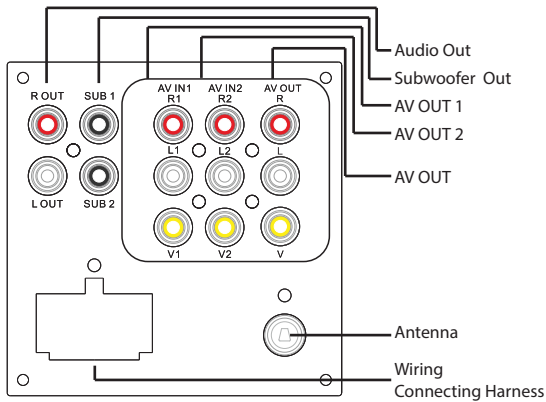
- Before finally installing the unit, connect the wiring temporarily and make sure the unit and the system function properly.
- Fix the unit to the wall using 4 self-tapping screw as indicated in the illustration.



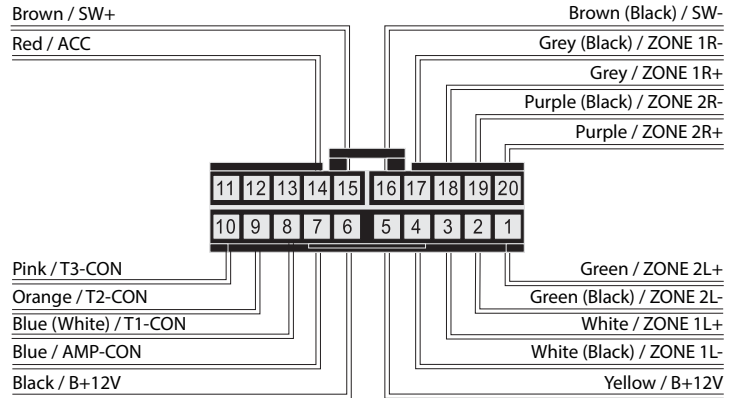
1. Carefully remove the plastic frame from the front panel of the unit.
2. Fix the unit in place with the 4 included #8 pan head self-tapping screws.
3. Replace the plastic from on the front panel of the unit.

Connections

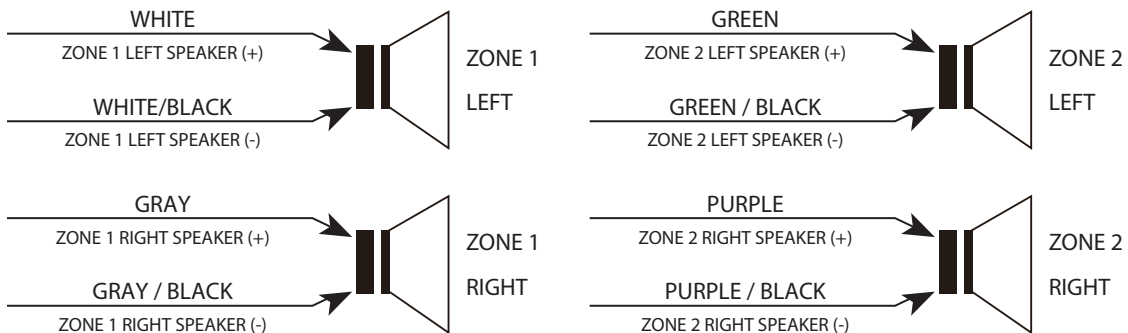
Wiring Diagram



Harness Pin Connections



4-Speaker (2 zone) Wiring



Note: All speakers must be connected as shown. If one wire is removed or improperly connected then all speakers on the relevant zone will not function as intended. Connection with incorrect speaker polarity will lead to poor sound quality or speaker damage.

Operation

Common Operation

1. To power the unit On/Off

When the unit is powered **Off**, it may be switched **On** by pressing the **POWER** button. When the unit is switched **On**, press and hold the **POWER** button to switch it off.

2. To select a function mode

Press **MODE** button repeatedly on on the front panel to select the corresponding mode.
(FM/AM, AV1, AV2, BLUETOOTH, HDMI)

3. To adjust the volume level

During playback, press **VOLUME+** or **VOLUME-** button on the front panel to increase or decrease the volume.

4. To mute or resume the sound

During playback, short press **POWER** button on the front panel to mute sound. Repeat this to disable mute function.

5. To check speaker output status and select speaker output

Short-press **ZONE 1** or **ZONE 2** button on the front panel to check the speaker output status.

Press and hold **ZONE 1** or **ZONE 2** button on the front panel to turn ON/OFF the corresponding speaker output, "**Z 1 ON/OFF**" or "**Z 2 ON/OFF**" will be displayed on the LCD.

6. To set the sound mode and menu

Press and hold **SEL** button to turn on BASS, then press **SEL** button repeatedly to select or circulate through TRE (treble), EQ OFF (FLAT/AMERICA3/AUSTRALIA/EUROPE), press **VOLUME+/-** to change the settings. Press **SEL** button to confirm your selection.

- 1) VOL LAST / VOL DEFA

VOL LAST: The last volume level setting will be saved automatically after the unit is switched off, and restored after powered on.

VOL DEFA: Press SEL button on the front control panel, the AVOL mark will be displayed on LCD. Use **VOLUME +/-** to set the volume level as a constant value.

- 2) VOL LAST / VOL DEFA

In Radio mode, with the DX/LOCAL selection you can change the attenuator settings at the input stage of the radio. This selection helps to avoid overloading the radio when strong (local) stations are received. Select DX (DISTANT) mode to receive far/weak radio stations (highest sensitivity settings are enabled) and select LOCAL for very strong stations (which are located nearby).

- **NOTE:** This button is only for FM reception. In AM mode, LOC is in valid.

7. To display and adjust the time

Press and hold **MODE** button to display time.

Press and hold **MODE** button for ~ 2 seconds until the time displays then release and hold **MODE** button again until the hour begins to flash. Use **VOLUME+/-** button to adjust the hour. While hours is flashing, hold **MODE** button until minutes begin to flash then Use **VOLUME+/-** button to adjust the hour.

8. To reset the unit

- 1) Press RESET button with a cuspidal object. The unit will be reset to factory default settings.

Radio Operation

1. To select radio band

Press BAND button repeatedly to select a desired radio band in sequence and circulating as:

-->FM1-->FM2-->FM3-->AM1-->AM2

2. To search for radio station manually or automatically

- In radio mode, press << / >> button to search your desired radio stations up/down manually.
- Press and hold << / >> button to search for the strongest station up/down automatically.

3. To store current station or turn on a preset one

- 1) If you want to store the current station, press and hold one of the digit buttons from 1~6 to store the current station on the designated preset. You can store up to 30 presets.
- 2) Press one of the 6 buttons from 1~6 to enter the preset station in current band.

4. To auto search and store the top 6 strongest stations In radio mode, press and hold BAND button on the front panel, the unit will start to search the available stations and check the signal strength from the lowest frequency. The top 6 strongest stations will be saved to the corresponding preset numbered band 1~6.

USB Operation

1. To insert or pull out the USB stick

To play the tracks in USB disk, insert the USB disk into the USB port. The playing mode will be changed to USB mode automatically and the USB indicator will be displayed on the LCD.

2. Press << or >> button to play previous or next track.

3. To fast forward or backward

Press and hold << or >> button to play backward or fast forward, release to resume normal playback.

4. To play previous or next 10th track.

Press 5 or 6 button to play previous or next 10th track.

5. How to use **1/PLAY/PAUSE** button

During playback, press **1/PLAY/PAUSE** button to pause playback,

Press **1/PLAY/PAUSE** button again to resume,

Press and hold **1/PLAY/PAUSE** button to select the first track to play.

6. To repeat track(s)

- During playback, press **3/RPT** button briefly to play the current track repeatedly. **RPT ONE** will be displayed on LCD.
- Press **RPT** button twice to play the track(s) in the album repeatedly. **RPT DIR** will be displayed on LCD.
- Press **RPT** button three times to repeat all tracks. **RPT ALL** will be displayed on LCD.
- Press **RPT** button four times to cancel the RPT function, **RPT OFF** will be displayed on LCD.

7. To play tracks at random

During playback, press **RDM** button to play all tracks at random. Press it again to cancel.

8. To search a track

Press **USB** button, TRK 0/00/000 (depending on the total tracks that are saved in the USB disk) will be displayed on the LCD and the place marker in the 0 position will begin flashing.

After inputing your desired track, press **1/PLAY/PAUSE** button to play the track to be selected.

Bluetooth Operation

Pair and Connect

1. Click the **MODE** button on the **DR3200BT** front panel to go to Bluetooth mode.
2. You should see **NOT PAIR** displayed on the LCD. If you see **BT LINK** and the Bluetooth icon is on, that means **DR3200BT** is already connected to another device. You can clear it by pressing and holding the **BT** button for ~2 seconds until **NO LINK** is shown, then continue with the rest of the steps below.
3. Go to the Bluetooth menu of your device.
4. Ensure Bluetooth is turned On.
5. Select the device named **DRIVEN**.
6. If the pairing and connection is successful, the mobile will show connected while **DR3200** will show **BT LINK** and the Bluetooth icon on LCD.

Note: **DR3200BT** supports NFC pairing. The NFC detection area is on the right of the Power button.

Disconnect and Reconnect

- Bluetooth connection of mobile devices typically covers a 33 ft (10m) open-field range. **DR3200BT** “remembers” the last connected device. The unit will disconnect from any device that goes out-of-range, **DR3200BT** will auto-reconnect to your device once it is back in range.
- If you explicitly disconnect the Bluetooth link by pressing the corresponding menu item in your device the **DR3200BT** will not auto-reconnect.
- If you turn off Bluetooth from your device while the unit is connected, **DR3200BT** will not auto-reconnect when you turn on the device’s Bluetooth option. Some devices will try to reconnect with the last Bluetooth connected device.
- However, if you turn off Bluetooth on the device after an out-of-range disconnection, **DR3200BT** will auto-reconnect once you turn on Bluetooth on the device when it is within range.
- Note that whenever disconnected, the **DB3200BT** can be paired and connected by any other Bluetooth device.

Forget (or Unpair)

- You can explicitly forget (or unpair) **DB3200BT** in mobile. If you do that while connected in range, **DB3200BT** will be properly notified and all settled.
- If you do that after being disconnected while out-of-range, **DB3200BT** will still auto connect with the device. If this happens, you can press and hold the BT button for ~2 seconds on **DB3200BT** to clear its memory.

Audio Playback

- When audio is streamed from mobile to **DB3200BT**, BT AUDIO is shown on the LCD.
- You can control the track modes (play, stop, next, prev) either from your device or **DB3200BT**.
- If you hear no sound or very low volume output, please check the volume on your device, then adjust the volume on the **DB3200BT** to the level of your choice.

Specifications

General	
Supply Voltage	DC 12V
Current Consumption	Max. 5A
Power Output	4 x 9 W RMS (4 Ohm speakers)
Number of Channels	4 Channels
Mounting Dimensions (W x H x D)	3.80 x 3.80 x 3.14 in 96.7 x 96.7 x 79.8 mm

AM Section	
Frequency Range	522kHz - 1620kHz (USA)
Effective Sensitivity	40dBu
Preamp Output	1V Output

FM Section	
Frequency Range	87.5mHz - 107.9mHz (U.S.A.)
Effective Sensitivity	Max. 5A

USB Playback	
Audio Format	MP3, WMA
Frequency Characteristics	20Hz - 100Hz <= 5dB 10kHz - 20kHz <= 5dB
Signal to Noise Ratio (SNR)	1V Output

LIMITED WARRANTY

Driven warrants any products purchased in the U.S.A. from an authorized Driven dealer.

All Products are warranted to be free from defects in material and workmanship under normal use and service for a period of one (1) year. This warranty applies to the original purchase only.

Driven will either repair or replace (at its own discretion) any unit that has been found to be defective and under warranty provided the defect occurs within the one (1) year warranty period.

This limited warranty does not extend to units that have been subjected to misuse, abuse, neglect, or accident. In Driven's judgement, products that show evidence of having been altered, modified, or serviced without Driven's TM authorization, will be ineligible under this warranty.

To Obtain warranty service please contact your retailer or visit our website at www.drivenelectronics.com

DRIVEN

Designed and Engineered in the U.S.A.

